

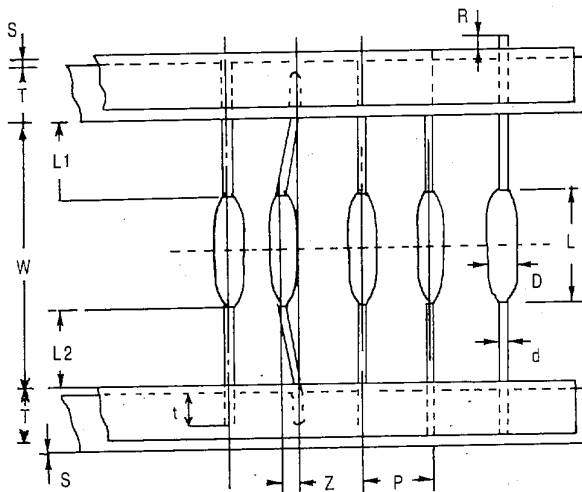
MULTILAYER CERAMIC CAPACITORS

EPOXY COATED AXIAL TYPE A SERIES

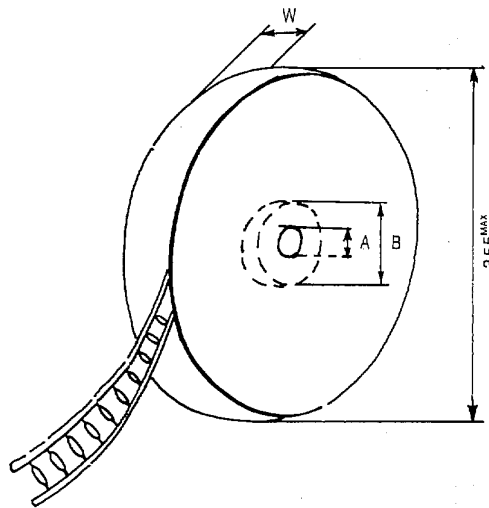
AXIAL TAPE & REEL for AUTO INSERTION

■ DIMENSION

(Unit: mm)



| Code | 26mm | 52mm |
|-------|----------------------------------|--------------------------------|
| L | 3.4 Max. | |
| D | 2.5 Max. | |
| d | 0.5 ± 0.05 | |
| W | 26 ^{+1.5} ₋₀ | 52 ⁺² ₋₁ |
| P | 5 ± 0.5 | |
| L1-L2 | 1.5 Max. | |
| Z | 1.2 Max. | |
| T | 6 ± 1 | |
| S | 0.8 Max. | |
| t | 3.2 Min. | |
| R | 0 Max. | |

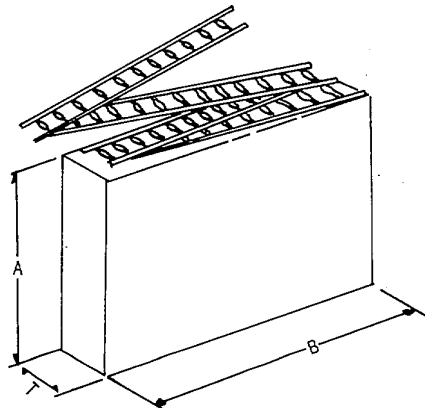


| Code | Dim. | |
|------|--------|--------|
| A | 30 ± 1 | |
| B | 90 ± 2 | |
| W | 26mm | 41 ± 2 |
| | 52mm | 68 ± 2 |

■ Special Features for Taping Box

Quantity per reel is 5000pcs

Quantity per box is 5000pcs



| Code | Dim. | |
|------|---------|--------|
| A | 120 ± 5 | |
| B | 255 ± 5 | |
| T | 26mm | 51 ± 2 |
| | 52mm | 78 ± 2 |